



tecniche nuove

www.tecnichenuove.com

**THE EDITOR
OF THIS MAGAZINE
WILL WELCOME YOU AT
HALL 5 - LEVEL 1
BOOTH A59**

GT

**SPECIAL ISSUE
MARCH 2023**



ISSN 1120-5377
Supplement of issue n° 3 - March 2023
of GT il Giornale del Termoidraulico

il giornale del termoidraulico

www.ilgiornaledeltermoidraulico.it



Italian innovation

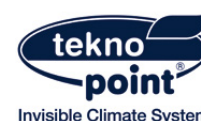
Heating  Air conditioning  Plumbing 

BUSINESS IDEAS 2023 for installers and engineers

In this issue, you will find a review of innovative products proposed by Italian companies.

This magazine is an important "tool" that should be retained for future reference: in an increasingly competitive world, to be updated and propose new solutions to its customers, can make a difference for acquiring new orders.

Companies that have joined our initiative





HALL 4
LEVEL 2
BOOTH D31

Space saver inspectionable trap for washbasin

LIRA PROPOSES THE NT SPACE SAVER TRAP IN THE NEW BLACK COLOUR, COMBINED WITH BASKET BAGNO SPACE SAVER DRAIN FITTING

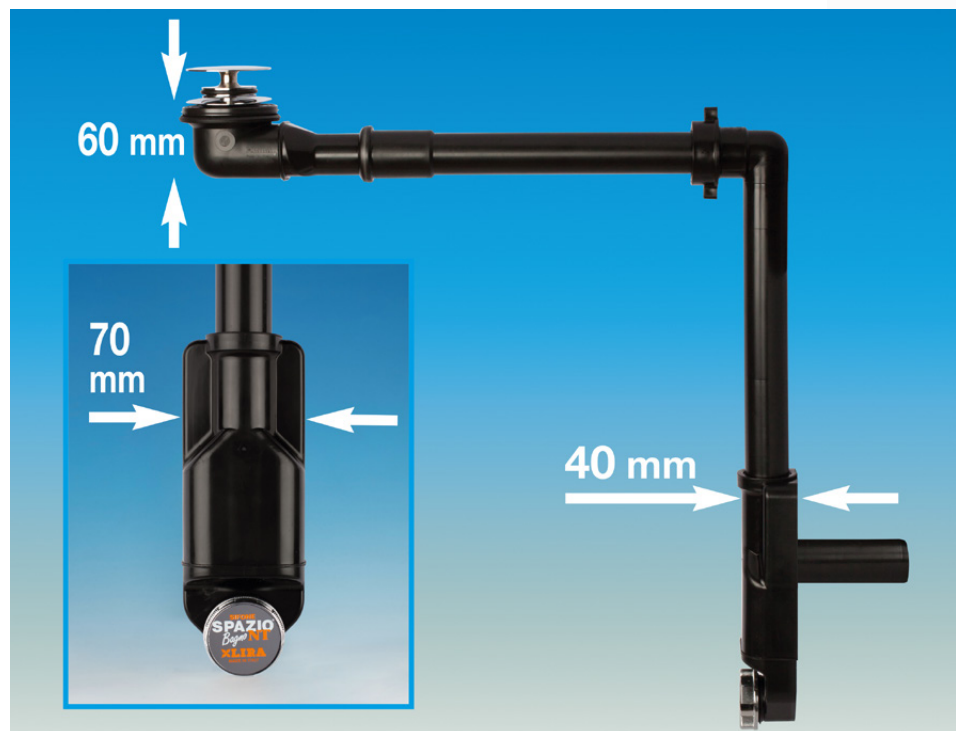
The SPAZIO BAGNO NT space saver inspectionable trap by LIRA is available in the new black colour: a configuration that transforms the trap into a real piece of furniture, without sacrificing functionality.

Thanks to its rectangular shape and small sizes - 70 mm wide and 40 mm thick - it adheres perfectly to the back wall, taking up very little space, thus making it possible to make the most of the potential of the cabinet under the washbasin, especially in the presence of drawers. It can be inspected: an opening in the front allows, by unscrewing the closure plug, to remove the residues accumulated in the trap drain. Easy to install: all components are supplied in a length compatible with any application, from the

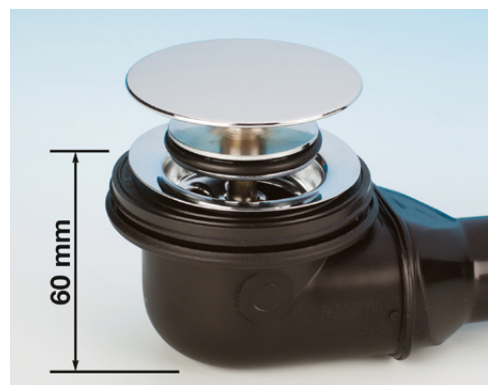
largest to the smallest washbasin. Being made of polypropylene, it is possible to cut them easily with a traditional hacksaw. To make the most of the potential of the cabinet containing the washbasin, the trap can be combined with the Basket Bagno space saver drain fitting, which with a size of only 60 mm facilitates the sliding of the drawers in the bathroom furniture. It is equipped with "No Problem" closure plug: a manual device that allows closure with a simple digital pressure

and opening by lifting the plug with the particular shape, thus avoiding annoying jamming problems during the opening and closing phases. Furthermore, the plug can be easily removed to facilitate cleaning operations. Available in a rich variety of elegant finishes: satin, bright and pearl in Chrome, Anthracite, Bronze, English Bronze, Copper, Iron, Nickel, Gold, Gold 24K and White Gold. The Spazio Bagno NT Kit, like all Lira products, is made in Italy in the Valduggia factory, the company's headquarters.

16



TRAP and DRAIN DIMENSIONS



BASKET BAGNO space saver drain fitting



FINISHES BASKET BAGNO PVD Color Collection



INSTALLED BLACK SPAZIO BAGNO NT kit